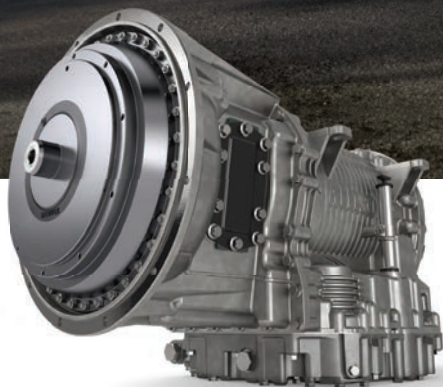
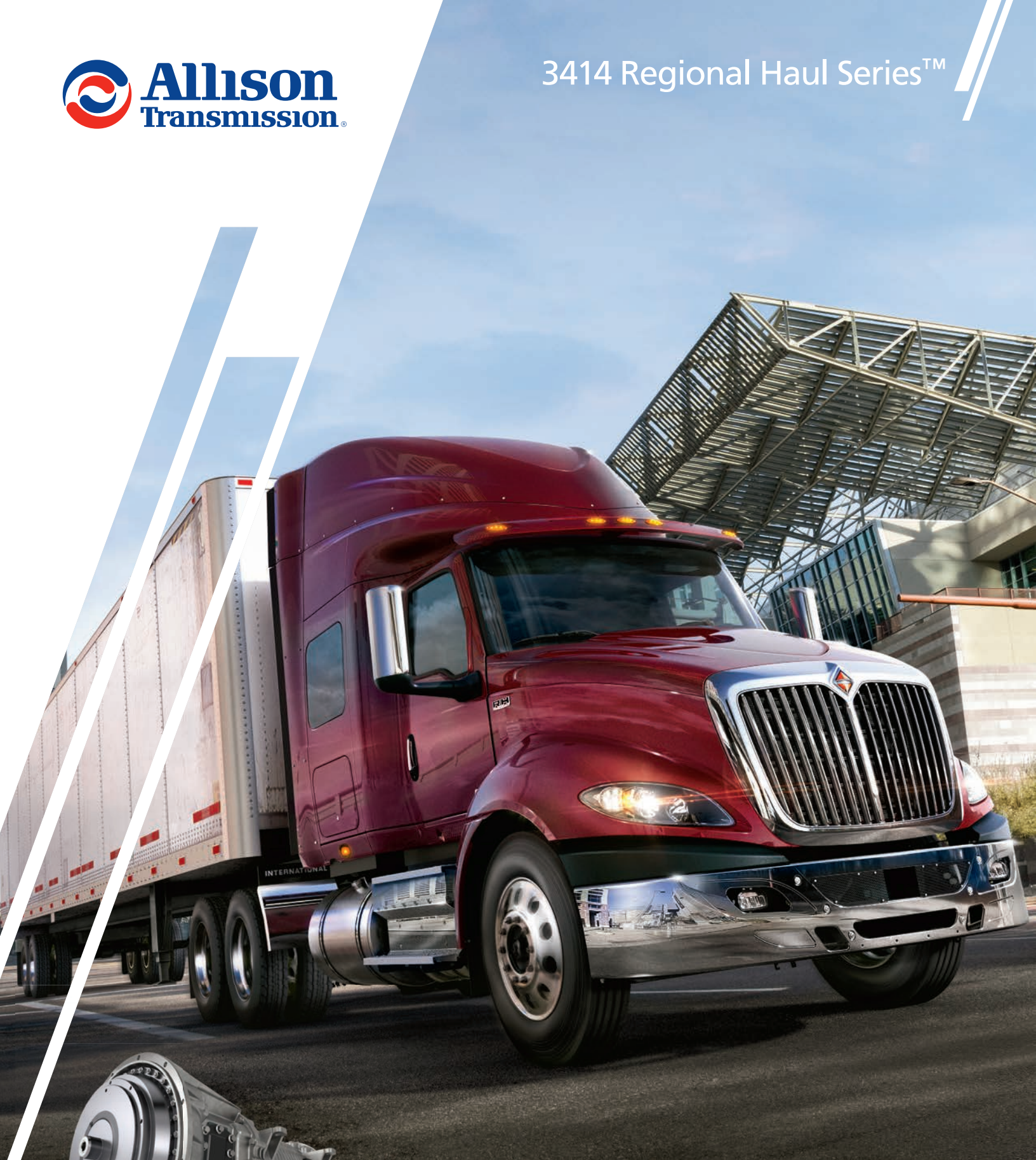




3414 Regional Haul Series™



**Delivery Is
About to Pick Up**

Introducing the New Regional Haul Series™ Fully Automatic Transmission from Allison



This Is What You've Been Waiting For

Your job doesn't end when the doors close. There's another dock, another shipment and another chance to show your customers they made the right choice, because you deliver.

No matter what you're hauling, every stop is important. When your customers are depending on you to be there on time every time, choose Allison and the new 3414 Regional Haul Series™ automatic transmission. Built on years of reliable performance and customer-inspired innovation, the 3414 RHS helps you do more than deliver — you'll deliver confidently.

Allison Delivers

When you want more power, ease of operation, optimized maneuverability, significant weight savings, an unmatched warranty and more, look to Allison. Our products' power and efficiency contribute to your peace of mind and bottom line.

The Allison 3414 RHS includes exclusive features like xFE and FuelSense® 2.0 with DynActive® Shifting.

Ratings

- Input power hp (kW)
410 (306)
- Input torque lb-ft (N•m)
1450 (1966)
- Turbine torque lb-ft (N•m)
1700 (2305)
- Gross combined weight lbs (kg)
80,000 (36,287)
- Engine driven PTO available
- Same form, fit, function and connections as a 3000 Series™



Introducing the New Regional Haul Series™ Fully Automatic Transmission from Allison



25% Faster Acceleration*

From Regional Haul to Final Mile, the Allison 3414 RHS Gets You There Faster

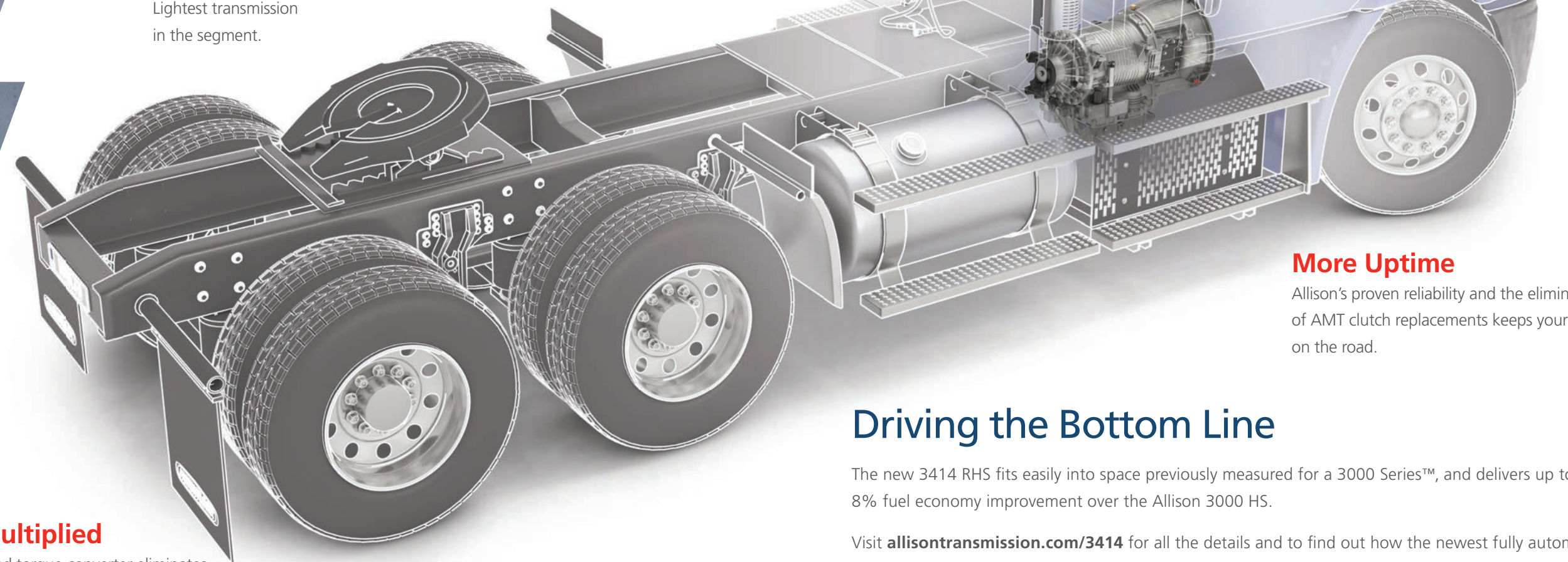
Increased horsepower and a lighter build translates into more stops, more loads and more productivity, especially in frequent start-stop duty cycles.

11% Lighter**

Lightest transmission in the segment.

Diesel and CNG Compatible

Maintain the fuel that your fleet prefers.



Industry-Leading Warranty

5-year/750,000-mile warranty, including towing.

Ease of Operation

Automatic transmissions reduce driver fatigue and increase comfort.

Maximize Safety

Optimized maneuverability, smooth reverse shifts and fully automatic operation keep the driver's focus on the road.

More Uptime

Allison's proven reliability and the elimination of AMT clutch replacements keeps your fleet on the road.

This Is What You've Been Waiting For

Your job doesn't end when the doors close. There's another dock, another shipment and another chance to show your customers they made the right choice, because you deliver.

No matter what you're hauling, every stop is important. When your customers are depending on you to be there on time every time, choose Allison and the new 3414 Regional Haul Series™ automatic transmission. Built on years of reliable performance and customer-inspired innovation, the 3414 RHS helps you do more than deliver — you'll deliver confidently.

Power Multiplied

Allison's patented torque converter eliminates power-interrupted shifts, smooths operation and reduces wear on the powertrain.

Driving the Bottom Line

The new 3414 RHS fits easily into space previously measured for a 3000 Series™, and delivers up to 8% fuel economy improvement over the Allison 3000 HS.

Visit allisontransmission.com/3414 for all the details and to find out how the newest fully automatic transmission fits your needs.

* Up to 25% faster acceleration 0-20 MPH than an AMT
** Up to 11% lighter than the next lightest competitive AMT in the segment

A World of Support

From our headquarters in Indianapolis, Indiana, USA, to our manufacturing plants in Hungary and India, to more than 1,400 Allison Authorized Distributors and Dealers around the globe, you are never far from the products, training, service and support you demand.

Our support starts from the moment an Allison transmission is specified. We work with you to ensure that the model and ratings fit your engine to create a tailored package of powerful performance and reliable efficiency. When you need parts or service, you can count on global access to factory-trained specialists and Allison Genuine Parts™.



*One Allison Way
Indianapolis, Indiana USA 46222-3271*

*Information or specifications subject to
change without notice or obligation.*

allisontransmission.com

SA8932EN (2022/01)

© 2022 Allison Transmission Inc.
All Rights Reserved.

